

Technical data sheet



Product features

Freezing cabinet 130 l 3x shelf, stainless steel

| | | |
|--------------|-----------------|----------|
| Model | SAP Code | 00012874 |
|--------------|-----------------|----------|



- Chamber volume [l]: 130
- Minimum device temperature [°C]: -10
- Maximum device temperature [°C]: -22
- Insulation thickness [mm]: 40
- Control type: Digital
- Door lock: Yes
- Opening of device: Two-sided
- Annual energy consumption [kWh]: 894

| | | | |
|----------------------------|--------------------|--|-------|
| SAP Code | 00012874 | Chamber volume [l] | 130 |
| Net Width [mm] | 600 | Gross Volume [m3] | 0.425 |
| Net Depth [mm] | 615 | Net Volume [m3] | 0.315 |
| Net Height [mm] | 855 | Minimum device temperature [°C] | -10 |
| Net Weight [kg] | 46.00 | Maximum device temperature [°C] | -22 |
| Power electric [kW] | 0.158 | Refrigerant | R290 |
| Loading | 230 V / 1N - 50 Hz | Refrigerant weight [g] | 46.00 |
| Energy class | C | Climate class | 4 |

Technical data sheet



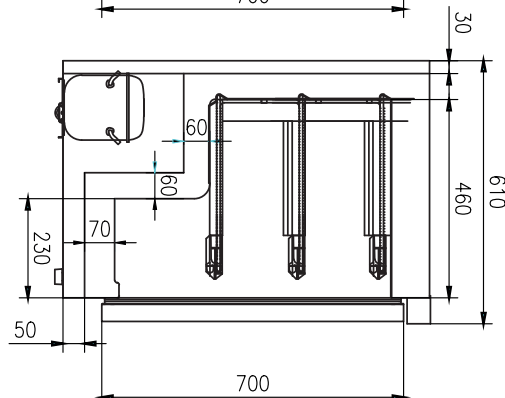
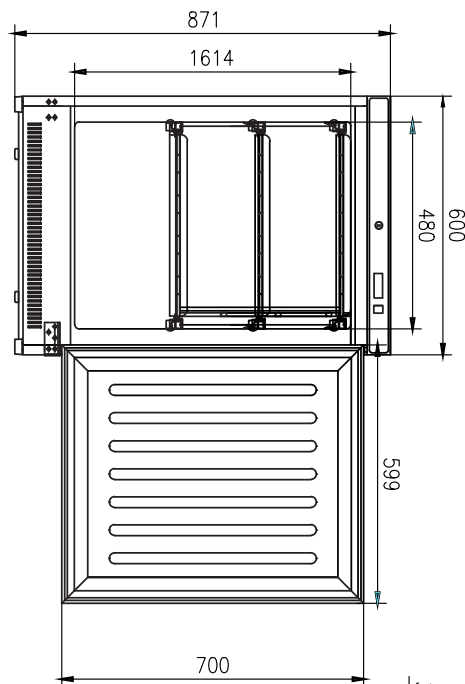
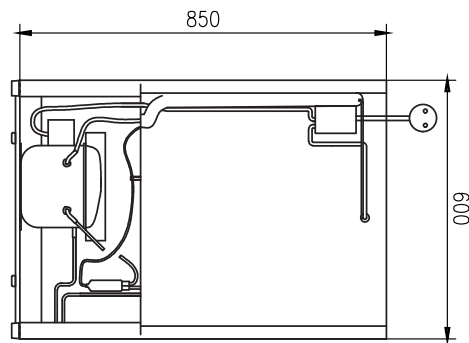
Technical drawing

Freezing cabinet 130 l 3x shelf, stainless steel

Model

SAP Code

00012874



Technical data sheet



Technical parameters

Freezing cabinet 130 l 3x shelf, stainless steel

Model

SAP Code

00012874

1. SAP Code:

00012874

2. Net Width [mm]:

600

3. Net Depth [mm]:

615

4. Net Height [mm]:

855

5. Net Weight [kg]:

46.00

6. Gross Width [mm]:

625

7. Gross depth [mm]:

645

8. Gross Height [mm]:

1055

9. Gross Weight [kg]:

52.00

10. Device type:

Electric unit

11. Power electric [kW]:

0.158

12. Loading:

230 V / 1N - 50 Hz

13. Energy class:

C

14. Refrigerant:

R290

15. Cooling type:

Static with fan

16. Material:

Stainless steel

17. Min ambient temperature [°C]:

10

18. Max ambient temperature [°C]:

43

19. Device properties 2:

Freezing

20. Chamber volume [l]:

130

21. Gross Volume [m3]:

0.425

22. Net Volume [m3]:

0.315

23. Worktop material:

SS201

24. Adjustable feet:

Yes

25. Insulation thickness [mm]:

40

26. Opening of device:

Two-sided

27. Gasket:

Yes

28. Number of doors:

1

Technical data sheet



Technical parameters

Freezing cabinet 130 l 3x shelf, stainless steel

Model

SAP Code

00012874

29. Unit:

Yes

34. Maximum device temperature [°C]:

-22

30. Control type:

Digital

35. Refrigerant weight [g]:

46.00

31. Door lock:

Yes

36. Number of grids:

3

32. Annual energy consumption [kWh]:

894

37. Climate class:

4

33. Minimum device temperature [°C]:

-10